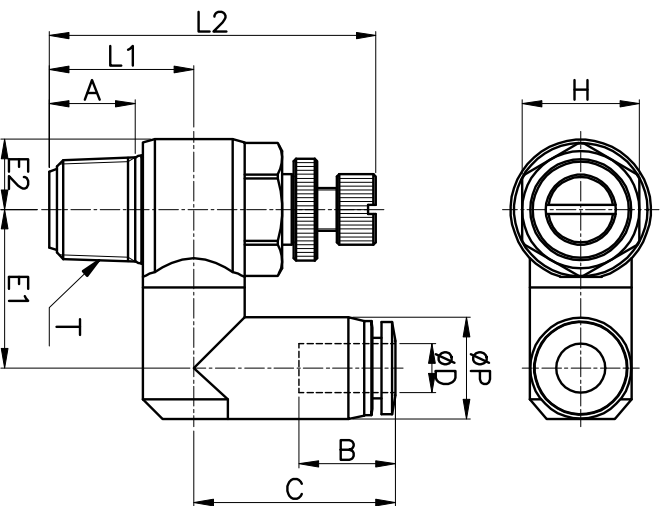


NSS



MODEL	ϕD	ϕP	T	L1	L2		E1	E2	A	B	H (Hex)	C	WEIGHT (g)	BOX(EA)
					MIN	MAX								
NSS 04-M5	4	10.5	M5*0.8p	9.6	27.1	29.1	12.3	5.2	3.6	14.8	8	20.3	9.2	50
NSS 04-01			R 1/8	15.1	35.5	40.7	14.3	7.0	8.2		11	20.3	19.4	50
NSS 04-02	6	12.5	R 1/4	18.4	40.3	46.6	17.8	9.2	11.0	16.4	15	20.3	36.1	50
NSS 06-M5			M5*0.8p	9.6	27.1	29.1	13.3	5.2	3.6		8	22.4	10.2	50
NSS 06-01	6	12.5	R 1/8	15.6	35.5	40.7	15.0	7.0	8.2	16.4	11	24.0	21.1	25
NSS 06-02			R 1/4	18.4	40.3	46.6	20.3	9.2	11.0		15	25.9	38.7	25
NSS 06-03	8	14.8	R 3/8	21.9	46.9	54.9	23.3	11.5	12.2	18.3	19	25.9	70.2	25
NSS 08-01			R 1/8	15.6	35.5	40.7	16.2	7.0	8.2		11	24.9	22.1	25
NSS 08-02	8	14.8	R 1/4	18.4	40.3	46.6	19.3	9.2	11.0	18.3	15	28.3	39.8	25
NSS 08-03			R 3/8	22.4	46.9	54.9	24.6	11.5	12.2		19	29.3	71.4	25
NSS 08-04	10	17.5	R 1/2	26.6	54.0	60.1	26.6	14.3	16.5	20.2	24	29.3	110.0	20
NSS 10-02			R 1/4	18.4	40.3	46.6	20.3	9.2	11.0		15	30.7	42.2	20
NSS 10-03	10	17.5	R 3/8	22.4	46.9	54.9	24.6	11.5	12.2	20.2	19	31.7	73.5	20
NSS 10-04			R 1/2	26.7	54.0	60.1	26.7	14.3	16.5		24	33.1	112.5	12
NSS 12-02	12	20.5	R 1/4	18.4	40.3	46.6	21.8	9.2	11.0	22.9	15	33.4	44.1	12
NSS 12-03			R 3/8	22.4	46.9	54.9	24.6	11.5	12.2		19	34.4	79.0	12
NSS 12-04	12	20.5	R 1/2	26.7	54.0	60.1	26.7	14.3	16.5	22.9	24	35.8	115.9	12