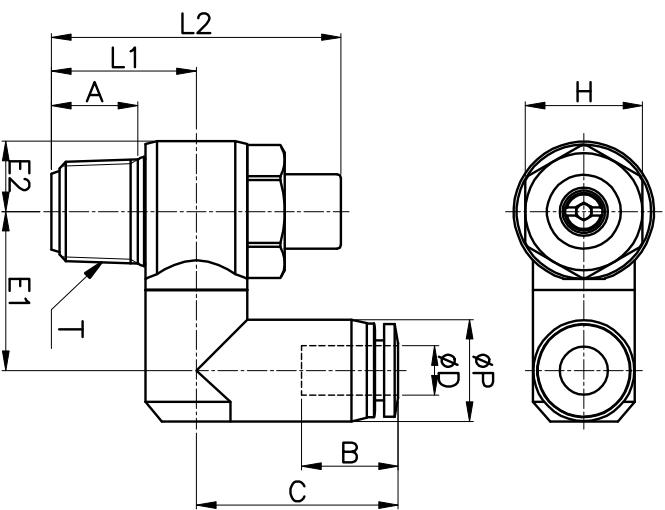


NSS-DC



| MODEL | ØD | ØP | T | L1 | L2 | E1 | E2 | A | B | H (Hex) | C | WEIGHT (g) | BOX(EA) |
|---------------|-------|------|---------|------|------|------|------|------|------|------------|------|---------------|---------|
| | | | | | | | | | | | | | |
| NSS 04-M5(DC) | 4 | 10.5 | M5*0.8p | 9.6 | 23.2 | 12.3 | 5.2 | 3.6 | 14.8 | 8 | 20.3 | 7.0 | 50 |
| NSS 04-01(DC) | | | R 1/8 | 15.1 | 31.5 | 14.3 | 7.0 | 8.2 | | 11 | 20.3 | 16.0 | 50 |
| NSS 04-02(DC) | | | R 1/4 | 18.4 | 37.0 | 17.8 | 9.2 | 11.0 | 15 | 20.3 | 35.0 | 50 | |
| NSS 06-M5(DC) | | | M5*0.8p | 9.6 | 23.2 | 13.3 | 5.2 | 3.6 | 16.4 | 8 | 22.4 | 9.0 | 50 |
| NSS 06-01(DC) | R 1/8 | 15.6 | 31.5 | 15.0 | 7.0 | 8.2 | 11 | 24.0 | | 18.0 | 25 | | |
| NSS 06-02(DC) | R 1/4 | 18.4 | 37.0 | 20.3 | 9.2 | 11.0 | 15 | 25.9 | | 33.0 | 25 | | |
| NSS 06-03(DC) | R 3/8 | 21.9 | 43.3 | 23.3 | 11.5 | 12.2 | 19 | 25.9 | | 63.0 | 25 | | |
| NSS 08-01(DC) | R 1/8 | 15.6 | 31.5 | 16.2 | 7.0 | 8.2 | 18.3 | 11 | 24.9 | 20.0 | 25 | | |
| NSS 08-02(DC) | R 1/4 | 18.4 | 37.0 | 19.3 | 9.2 | 11.0 | | 15 | 28.3 | 34.0 | 25 | | |
| NSS 08-03(DC) | R 3/8 | 22.4 | 43.3 | 24.6 | 11.5 | 12.2 | | 19 | 29.3 | 64.0 | 25 | | |
| NSS 08-04(DC) | R 1/2 | 26.6 | 50.2 | 26.6 | 14.3 | 16.5 | | 24 | 29.3 | 100.0 | 20 | | |
| NSS 10-02(DC) | R 1/4 | 18.4 | 37.0 | 20.3 | 9.2 | 11.0 | 20.2 | 15 | 30.7 | 38.0 | 20 | | |
| NSS 10-03(DC) | R 3/8 | 22.4 | 43.3 | 24.6 | 11.5 | 12.2 | | 19 | 31.7 | 63.0 | 20 | | |
| NSS 10-04(DC) | R 1/2 | 26.7 | 50.2 | 26.7 | 14.3 | 16.5 | | 24 | 33.1 | 103.0 | 12 | | |
| NSS 12-02(DC) | R 1/4 | 18.4 | 37.0 | 21.8 | 9.2 | 11.0 | | 15 | 33.4 | 42.0 | 12 | | |
| NSS 12-03(DC) | R 3/8 | 22.4 | 43.3 | 24.6 | 11.5 | 12.2 | 22.9 | 19 | 34.4 | 65.0 | 12 | | |
| NSS 12-04(DC) | R 1/2 | 26.7 | 50.2 | 26.7 | 14.3 | 16.5 | | 24 | 35.8 | 104.0 | 12 | | |