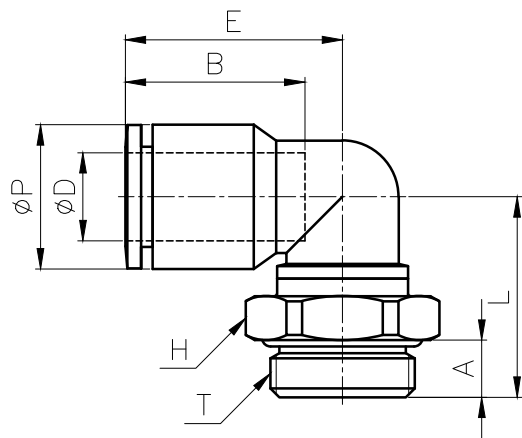


# MPL-G



MODEL	ØD	ØP	T	L	E	A	B	H (Hex)	ORIFICE	WEIGHT (g)	BOX (ea)
MPL 04-G01	4	9.3	G 1/8	16.7	15.5	5.0	13.0	14	3.5	8.2	100
MPL 04-G02			G 1/4	18.7		6.5		17		13.4	100
MPL 04-G03			G 3/8	18.2		6.5		20		19.1	50
MPL 06-G01	6	11.5	G 1/8	18.0	17.3	5.0	15.0	14	4.0	8.7	100
MPL 06-G02			G 1/4	20.0		6.5		17		14.0	100
MPL 06-G03			G 3/8	19.5		6.5		20		19.7	50
MPL 08-G01	8	13.6	G 1/8	21.8	21.2	5.0	16.9	14	6.0	10.3	50
MPL 08-G02			G 1/4	21.8		6.5		17		14.4	50
MPL 08-G03			G 3/8	21.3		6.5		20		19.4	50
MPL 08-G04			G 1/2	22.8		8.0		24		31.6	50
MPL 10-G02	10	16.4	G 1/4	23.3	24.7	6.5	18.9	17	9.0	16.5	50
MPL 10-G03			G 3/8	21.3		6.5		20		20.0	50
MPL 10-G04			G 1/2	22.8		8.0		24		30.5	25
MPL 12-G02	12	19.5	G 1/4	26.4	28.3	6.5	21.4	17	9.6	18.1	25
MPL 12-G03			G 3/8	24.5		6.5		20		21.6	25
MPL 12-G04			G 1/2	26.0		8.0		24		32.1	25