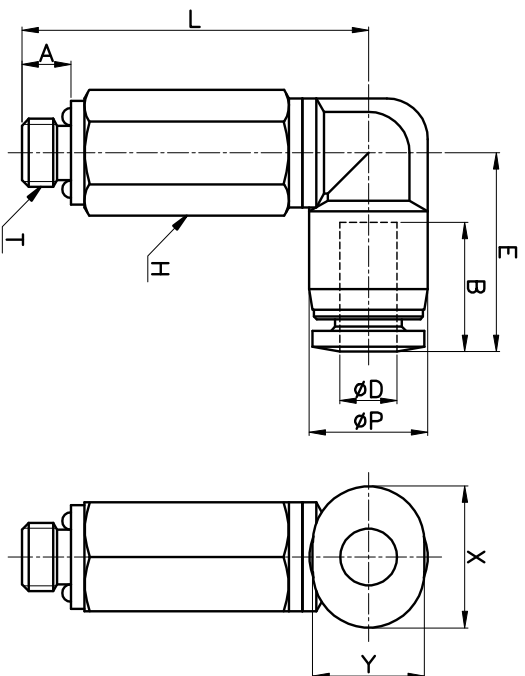


PLL-C



MODEL	ØD	ØP	T	L	E	A	B	H (Hex)	X	Y	ORIFICE	WEIGHT (g)		BOX(EA)
PLL 03-M3C	3	7.6	M3*0.5p	21.8	13.5	3.0	11.3	8	9.2	7.2	1.5	6.0	100	
PLL 03-M5C			M5*0.8p	23.9		3.6		8			7.0	100		
PLL 03-M6C			M6*1.0p	24.4		4.1		8			7.0	100		
PLL 04-M3C	4	8.7	M3*0.5p	24.9	14.6	3.0	11.8	8	10.4	8.2	1.5	8.0	100	
PLL 04-M5C			M5*0.8p	25.5		3.6		8			8.0	100		
PLL 04-M6C			M6*1.0p	26.0		4.1		8			8.0	100		
PLL 04-01C			R 1/8	29.4		8.0		10			13.0	100		
PLL 06-M5C			M5*0.8p	28.4		3.6		8			9.0	100		
PLL 06-M6C			M6*1.0p	28.9		4.1		8			9.0	100		
PLL 06-01C	R 1/8	32.4	8.0	10	12.4	10.2	2.5	9.0	100					
							3.0	14.0	100					